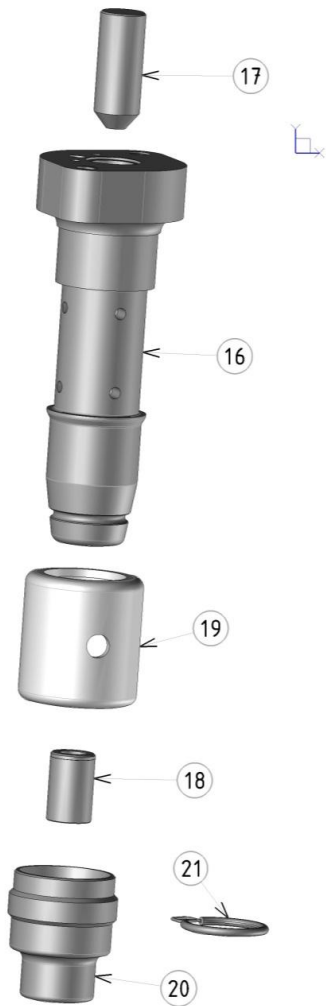
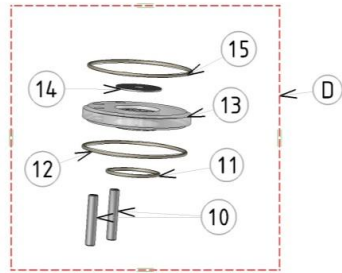
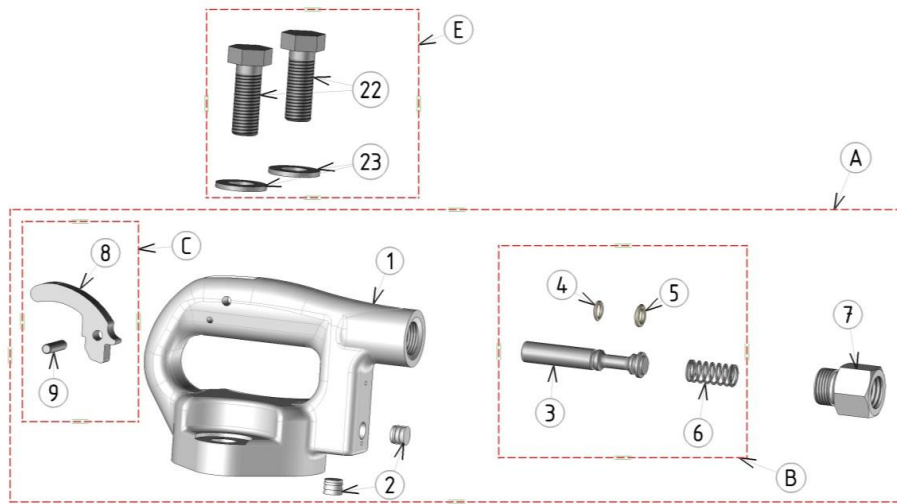


MARTEAU PIQUEUR - PNEUMATIC HAMMER

XP9





Ref.	Part #	Nombre	Désignation	Designation	Designación
1	XMAP05217	1	- Poignée	- Handle	- Empuñadura
2	XMAP01839	2	- Bouchon	- Plug	- Tapa
3	XMAP03940	1	- Soupape	- Valve	- Válvula
4	XMAP00839	1	- Joint	- O-ring	- Junta
5	XMAP00840	1	- Joint	- O-ring	- Junta
6	XMAP00841	1	- Ressort	- Spring	- Muelle
7	XMAP04693	1	- Mamelon	- Nipple	- Racor
8	XMAP03941	1	- Gâchette	- Trigger	- Gatillo
9	XMAS01999	1	- Goupille	- Pin	- Eje
10	XMAS02075	2	- Goupille	- Pin	- Eje
11	XMAS05223	1	- Joint	- O-ring	- Junta
12	XMAS05221	1	- Joint	- O-ring	- Junta
13	XMAP05247	1	- Siège de frappe	- Seat	- Silla de impacto
14	XMAP05227	1	- Pastille	- Insert	- Pastilla
15	XMAS05221	1	- Joint	- O-ring	- Junta
16	XMAP03427	1	- Cylindre	- Cylinder	- Cilindro
17	XMAP03446	1	- Piston	- Piston	- Pistón
18	XMAP03431	1	- Manchon Cyl D17-L60	- Sleeve .680 R	- Mango R 0.680
	XMAP03428		- Manchon Cyl-Hex D17-L60	- Sleeve .580 H	- Mango RH 0.580
19	XMAP03457	1	- Atténuateur	- Muffler	- Mufla
20	XMAP03429	1	- Décaleur	- Retainer	- Retenedor
21	XMAP03447	1	- Ressort	- Spring	- Muelle Retenedor
22	XMAS05164	2	- Vis	- Screw	- Tornillo
23	XMAS05165	2	- Rondelle	- Washer	- Arandela

KIT		Kit Pour Réparation	Repair Kit	Kit de Reparación
A	XMKS05287	- Kit Poignée complète	- Complete handle Kit	- Empuñadura completa
		1, 2(x2), 3, 4, 5, 6, 7, 8, 9		
B	XMKS04069	- Kit Soupape	- Valve Kit	- Válvula
		3, 4, 5, 6		
C	XMKS04067	- Kit Gâchette	- Trigger Kit	- Gatillo
		8, 9		
D	XMKS05309	- Kit Distribution	- Inlet valve Kit	- Distribución
		10, 11, 12, 13, 14, 15		
E	XMKS03730	- Kit Vis + Rondelle	- Screw + Washer Kit	- Tornillo y Arandela
		22(x2), 23(x2)		

Emmanchement / Shank size / Enmangadura (mm / In)	Poids / Weight / Peso (Kg / Lb)	Longueur / Length / Longitud (mm / In)
R 17x60 - R 0.680	9.6 - 21.2	399 - 15.7"
RH 17x60 - RH 0.580	9.6 - 21.2	399 - 15.7"

CARACTERISTIQUES XP9	
Alésage / Bore / Escariado (mm / In)	Ø28.5 - 1.1"
Course piston / Piston stroke / Carrera del piston (mm / In)	120 - 4.7"
Cadence de frappe / Impact rate / Golpes por minuto (cps/min / B.P.M.)	1800
Pression / Pressure / Presion (Bar / Psi)	6 - 87
Consommation / Air consumption / Consumo de aire (l/mm / CMF)	1200 - 42.4
Flexible / Hose / Manguera (mm / In)	Ø19 - Ø3/4"