

## CHAPTER 7

# PARTS LISTS, SCHEMATIC DIAGRAMS AND WARRANTY

### *Parts List - Handlebar Assembly*

<u>Ref#</u>	<u>Part#</u>	<u>Description</u>
01	164621	Handlebar, Right Hand
02	164631	Handlebar, Left Hand
03	120301	Screw, 3/8"-16 x 1-1/2", Tri-Lobe
04	112391	Washer, Flat, 3/8" USS
05	110751	Nut, Nylon Lock, 3/8"-16
06	191221	Control Panel, w/Electric Clutch
07	164581	Shelf, Battery
08	110761	Nut, Nylon Lock, 5/16"-18
09	134431	Bolt, 5/16"-18 x 1-1/2", HCS, GR5
11	104831	Battery, 17 AH, 12 V
12	124511	Clamp, Battery, 7-1/8" W x 5-1/2" H
13	111481	Bolt, 1/4"-20 x 1-3/4" HCS
14	110731	Nut, Nylon Lock, 1/4"-20
15	164611	Bracket, Brake Cable
16	119831	Bolt, 1/4"-20 x 3/4" HCS
17	150391	Shift Lever
18	110221	Grip, Shift Handle
19	100241	Shift Rod with Hub
20	110961	Pin, Spring, 3/16" x 1"
21	112441	Washer, 1/2" ID x 3/4" OD, Nylon
22	110971	Pin, Spring, 3/16" x 1-3/4"
23	157201	Key, Ignition Switch
24	165191	Switch, Snap-In, Electric Start
25	191231	Switch, Push/Pull (TPDP)
26	192311	Lever, Cable Engage
27	150361	Knob, Differential Lock In/Out Lever

<u>Ref#</u>	<u>Part#</u>	<u>Description</u>
28	179121	Bolt, 1/4"-20 x 1/2", Tri-Lobe
29	112111	Cable Throttle, 36-1/2" L (B&S and Honda)
	139051	Cable, Throttle, 50", Kawasaki
30	150491	Screw, 8-32 x 1/2"
32	151311	Plug, Hour Meter Hole, 2" x 1-1/4"
33	165171	Lever, Wheel Clutch, 1"
34	180591	Lever, Operator Presence w/harness
35	179231	Screw, M6 x 25mm, Socket Head
36	174861	Guard, Switch, Operator Presence
37	164951	Grip, Ergonomic, 1" OD, Handlebar
38	164961	Grip, Plain, 1" OD, Handlebar
39	165181	Lever, Brake w/Lock, 1"
40	181131	Cable, Transmission Brake
41	165251	Cable, Traction Drive
42	150151	Differential Lock In/Out Cable (only)
43	190031	Plug, Control Panel, Choke
45	150141	Cable, Ground, 16"

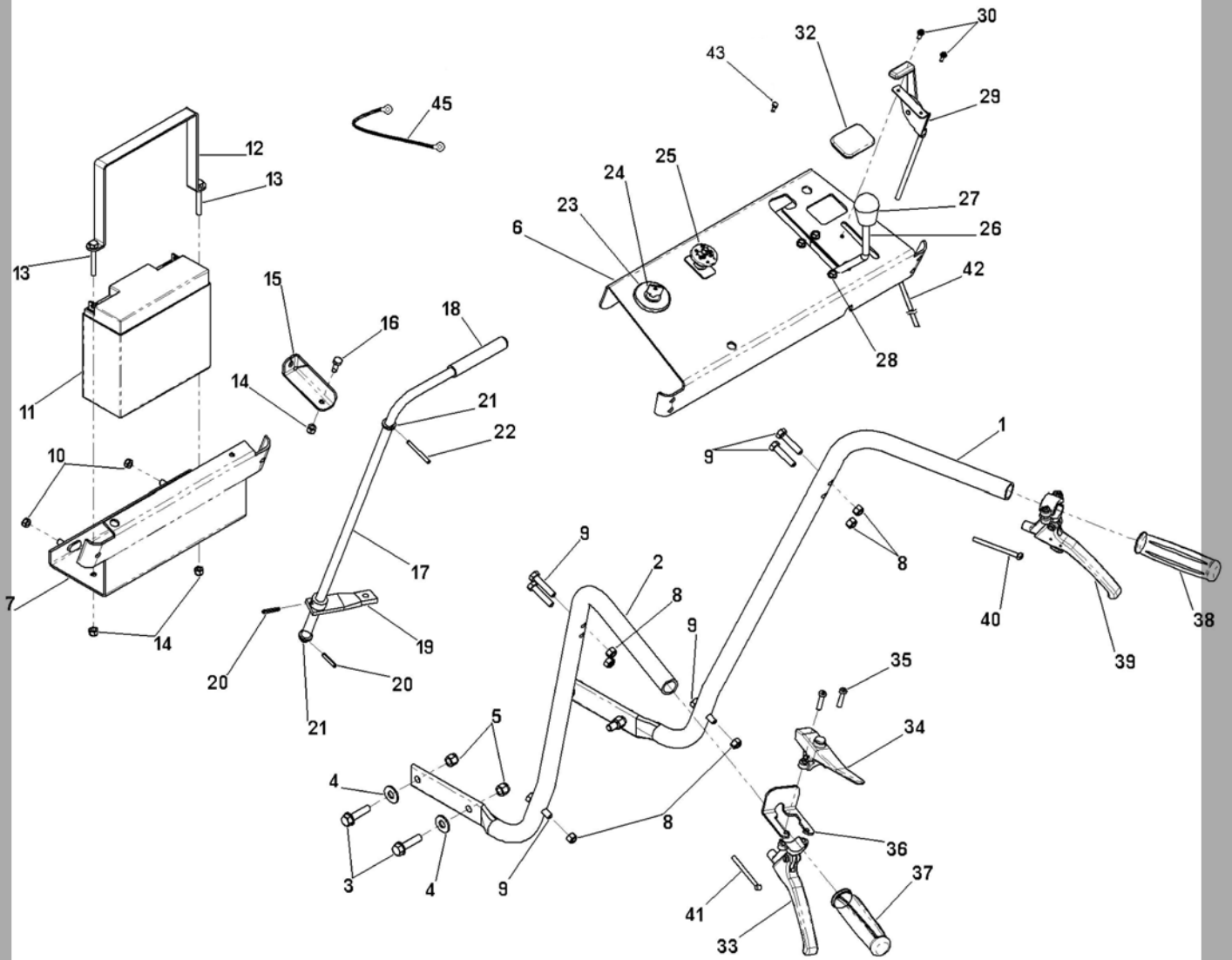
#### Not Illustrated

136831	Label, Caution Hot Surface
127811	Label, Warning: Add Oil
224071	Label, Throttle Control
224041A	Label, Control Panel
164371	Label, Blade Belt Routing
224081	Label, Wheel Lock
151651	Pin, External Hitch Clip, 5/16"

**CALL US TOLL FREE**  
**1-888-900-CONX(2669)**

**EMAIL US**  
**INFO@CONXEQUIPMENT.COM**

**Schematic - Handlebar Assembly**



**CALL US TOLL FREE  
1-888-900-CONX(2669)**

**EMAIL US  
INFO@CONXEQUIPMENT.COM**

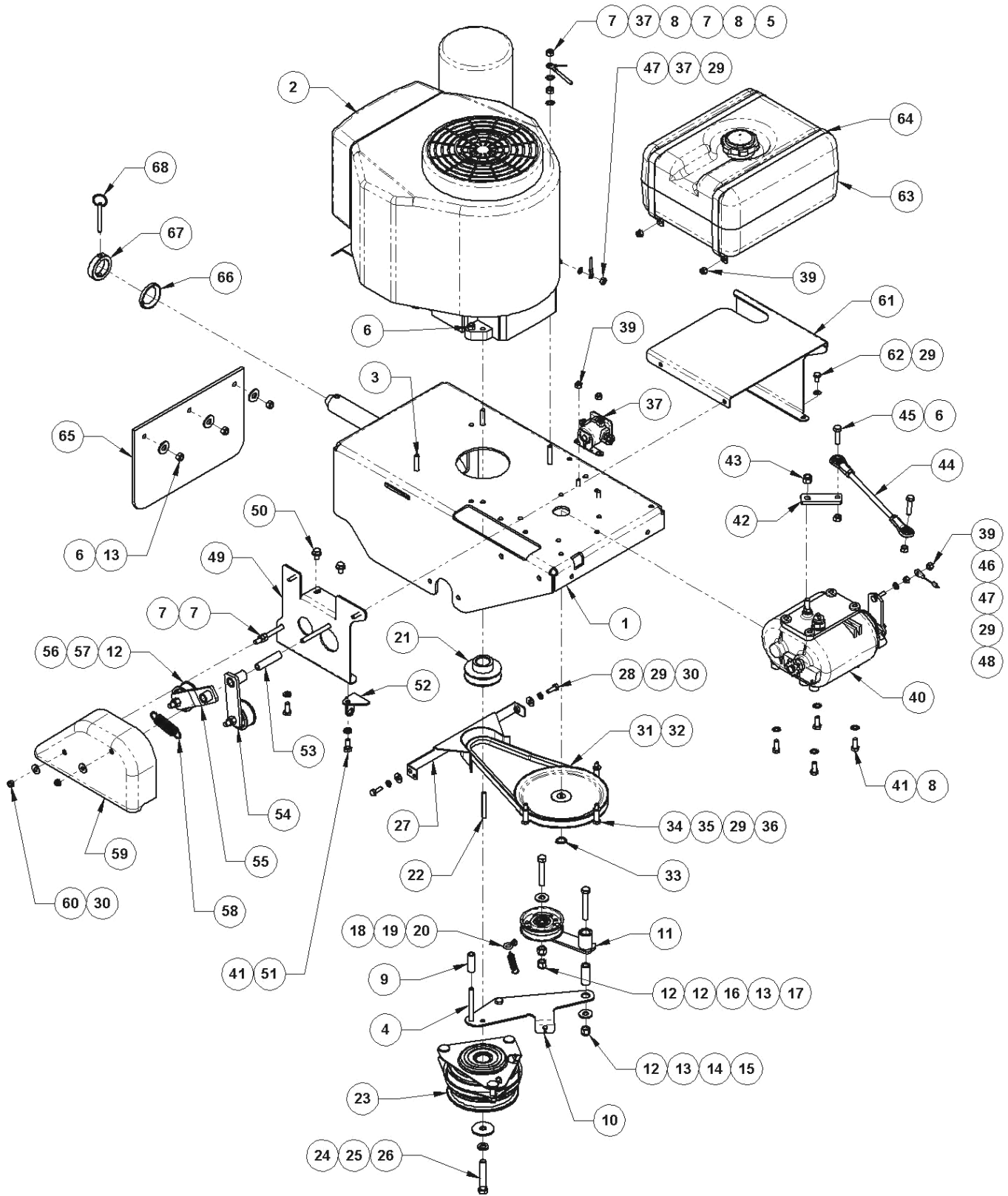
## Parts List - Frame and Drive Assembly

Ref#	Part#	Description	Ref#	Part#	Description
01	164601	Frame, Main	36	112371	Washer, Flat, 10-24 USS
02	192921	Engine, 13HP, B&S, Intek, E/S	37	224021	Wire Harness, Honda Engine
	224011	Engine, 13HP, Honda, E/S		191181	Wire Harness, B&S Engine
	160191	Engine, 15HP, Kawasaki, E/S		191171	Wire Harness, Kawasaki Engine
03	134431	Bolt, 5/16"-18 x 1-1/2", HCS, GR 5 B&S and Kawasaki Engines	39	110731	Nut, Nylon Lock, 1/4"-20
	178821	Bolt, 5/16"-24 x 1", HCS, GR 5 Honda Engine, Right Front	40	150591	Transmission, 4FWD, 1REV, w/Brake
	188761	Bolt, 5/16"-24 x 2-1/2", HCS, GR 5 Honda Engine, Left Rear	41	123211	Bolt, 5/16"-18 x 3/4", HCS, GR 5
04	111411	Bolt, 5/16"-18 x 3", HCS, GR 5	42	151001	Arm, Transmission Shift
05	150451	Bolt, 5/16"-18 x 1-3/4", HCS, GR 5	43	150771	Nut, Nylon Lock, 3/8"-24
06	110761	Nut, Nylon Lock, 5/16"-18	44	160331	Tie Rod, 7.47" L, Rod & Ball Ends
07	110691	Nut, 5/16"-18	45	123361	Bolt, 5/16"-18 x 1-1/4", HCS, GR 5
08	112501	Washer, Lock, 5/16" External Tooth	46	181131	Cable, Transmission, Brake
09	112311	Spacer, .327" ID x .50" OD x 1.5" L	47	110701	Nut, 1/4"-20
10	191261	Bracket, Anti-Rotation	48	111491	Bolt, 1/4"-20 x 1", HCS, GR 5
11	150611	Idler Arm, Traction Drive	49	150171	Support, Chain Idler
12	110751	Nut, Nylon Lock, 3/8"-16	50	111731	Screw, 5/16"-18 x 1/2", Tri-Lobe
13	112391	Washer, Flat, 3/8" (USS)	51	112431	Washer, Lock, 5/16", Split
14	151111	Bushing, .390" ID x .62" OD x 1.585" L	52	151941	Bracket, Clutch, Cable Guide
15	164841	Bolt, 3/8"-16 x 2-1/2", HCS, GR 5	53	150101	Bushing, .328" ID, .500" OD, 2.32" L
16	108501	Pulley, Flat, Idler, 3.0" OD	54	164781	Idler Arm, Inner, Chain Adjust
17	157121	Bolt, 3/8"-16 x 2-1/4", HCS, GR 5	55	164771	Idler Arm, Outer, Chain Adjust
18	175521	Eyebolt, 10-24 x 1/2"	56	150481	Pulley, Flat Idler, 1.88" OD, .375" Bore
19	118731	Nut, Nylon Lock, 10-24	57	126861	Bolt, 3/8"-16 x 2", HCS, GR 5
20	150501	Spring, Ext., .438" OD x .045", Wire	58	164801	Spring, Ext., .750" OD x .085" Wire
21	191211	Pulley, Drive, V-Belt, 2-3/4" Dia.	59	164651	Guard, Chain
22	106361	Key, 1/4" Square x 2-1/4" L	60	187551	Nut, Nylon Lock, 5/16"-18, Lo-Profile
23	191241	Clutch, Electric, 75 Ft.-Lbs., 3.86 Amp	61	150411	Mount, Fuel Tank
24	223241	Bolt, 7/16"-20 x 2-3/4", HCS, GR 5	62	114701	Bolt, 1/4"-20 x 1/2", HCS
25	222521	Washer, Lock, 7/16" Split	63	150291	Fuel Tank Assembly, 2.5 Gallons
26	191301	Washer, Flat, .469" ID x 1.62" OD x .25" THK	64	150531	Strap, 2.5 Gallon Fuel Tank
27	150201	Guide, Belt, Engine Pulley	65	150241	Debris Guard
28	119831	Bolt, 1/4"-20 x 3/4" HCS	66	151381	Washer, 1.375" ID, 2.00" OD x .25"
29	112481	Washer, Lock, 1/4" External Tooth	67	151151	Washer, 1.38" ID, 2.00" OD, .5" L
30	112381	Washer, Flat, 1/4" USS	68	150461	Pin, Detent, 1/4" x 2"
31	150061	Belt, A31K, 1/2" x 33"	<b>Not Illustrated:</b>		
32	111141	Pulley, V-Belt, 7" OD, 5/8" Bore	211661	Hose, Fuel, 1/4" ID, CA Certified	
33	111241	Ring, Retaining, 5/8", Type SH	100661	Clamp, Fuel Line	
34	101451	Bolt, 1/4"-20 x 1-1/2" HCS	140021	Tubing, Oil Drain, Kawasaki Engine	
35	111871	Spacer, 1/4" ID, 3/8" OD, 1.0" L	153531	Conduit, Split, Flexible, 7/16"	
			101811	Washer, Lock, 1/4"	
			130381	Elbow, Oil Drain, B&S Engine only	
			130401	Nipple, Oil Drain, B&S Engine only	
			100941	Fuel Filter, B&S Engine	
			138741	Fuel Filter, Kawasaki Engine	

**CALL US TOLL FREE  
1-888-900-CONX(2669)**

**EMAIL US  
INFO@CONXEQUIPMENT.COM**

**Schematic - Frame and Drive Assembly**



**CALL US TOLL FREE  
1-888-900-CONX(2669)**

**EMAIL US  
INFO@CONXEQUIPMENT.COM**

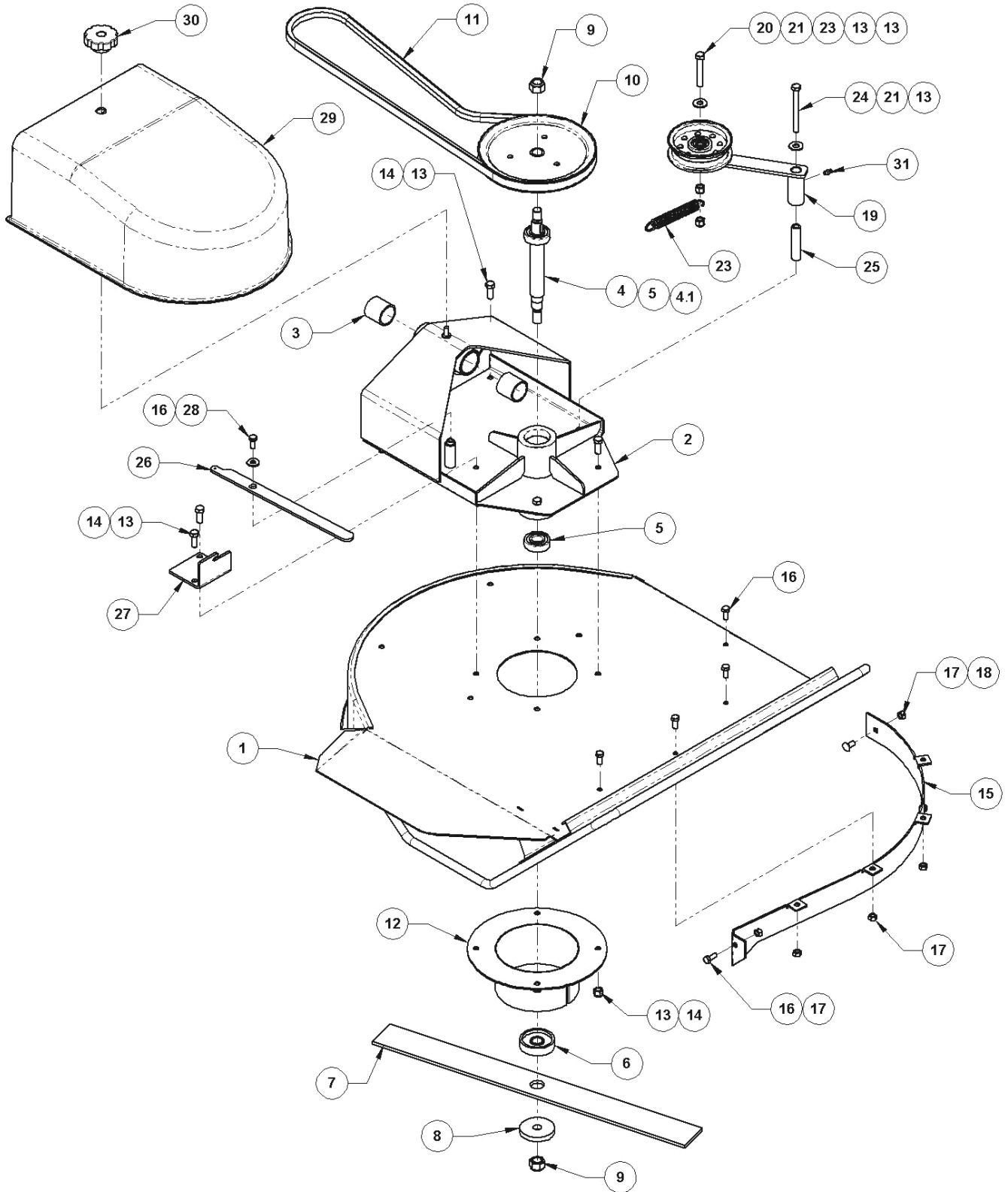
## Parts List - Brush Deck Assembly

Ref#	Part#	Description	Not Illustrated:	
01	164641	Brush Deck, 26"	164371	Label, Belt Routing
02	150911	Spindle Housing	136491	Label, Danger
03	150721	Bushing, 1.38" ID x 1.63" OD x 1.5"L	179081	Plate, Limit, 26"
04	160091	Shaft, Spindle, 5/8"-18, w/Bearing	188901	Label, Deck, Red
04.1	106401	Woodruff Key, .188" THK x .75" LG	225471	Plate, Limit, Lawn Deck (13HP Honda)
05	187351	Bearing, Ball, 2 Seals		
06	151141	Hub, Spindle		
07	100481	Blade, 26" Air Tip		
08	101771	Washer, .640" ID x 2.5" OD x .38" THK		
09	160071	Nut, Nylon Lock, 5/8"-18		
10	164451	Pulley, V-Belt, 8.5" OD, 7 Gauge		
11	150681	Belt, B63K, 5/8" x 66"		
12	150641	Anti-Wrap Guard, 4 Hole Mount		
13	110751	Nut, Nylon Lock, 3/8"-16		
14	111521	Bolt, 3/8"-16 x 1", HCS, GR 5		
15	160511	Baffle, 26"		
16	123211	Bolt, 5/16"-18 x 3/4", HCS, GR 5		
17	110761	Nut, Nylon Lock, 5/16"-18		
18	145291	Bolt, Carriage, 5/16"-18 x 3/4"		
19	150831	Idler Arm		
20	150691	Bolt, 3/8"-16 x 2-1/2", HCS, GR 5		
21	112391	Washer, Flat, 3/8" USS		
22	151271	Pulley, Flat Idler, 4", 3/8" Bore		
23	150941	Spring, Extension, .750" OD x .112 Wire		
24	150701	Bolt, 3/8"-16 x 3-3/4", HCS, GR 5		
25	150711	Bushing, Idler, .386" ID x .625" OD x 2.78"L		
26	164401	Lever, Belt Tension Release		
27	165231	Bracket, Belt Tension Lever		
28	112411	Washer, Flat, 5/16" USS		
29	164661	Cover, Deck Drive Belt		
30	143661	Knob, 5/16"-18 Hole		
31	101891	Zerk, Grease Fitting, 1/4"-28, Straight		

**CALL US TOLL FREE  
1-888-900-CONX(2669)**

**EMAIL US  
INFO@CONXEQUIPMENT.COM**

**Schematic - Brush Deck Assembly**



**CALL US TOLL FREE  
1-888-900-CONX(2669)**

**EMAIL US  
INFO@CONXEQUIPMENT.COM**

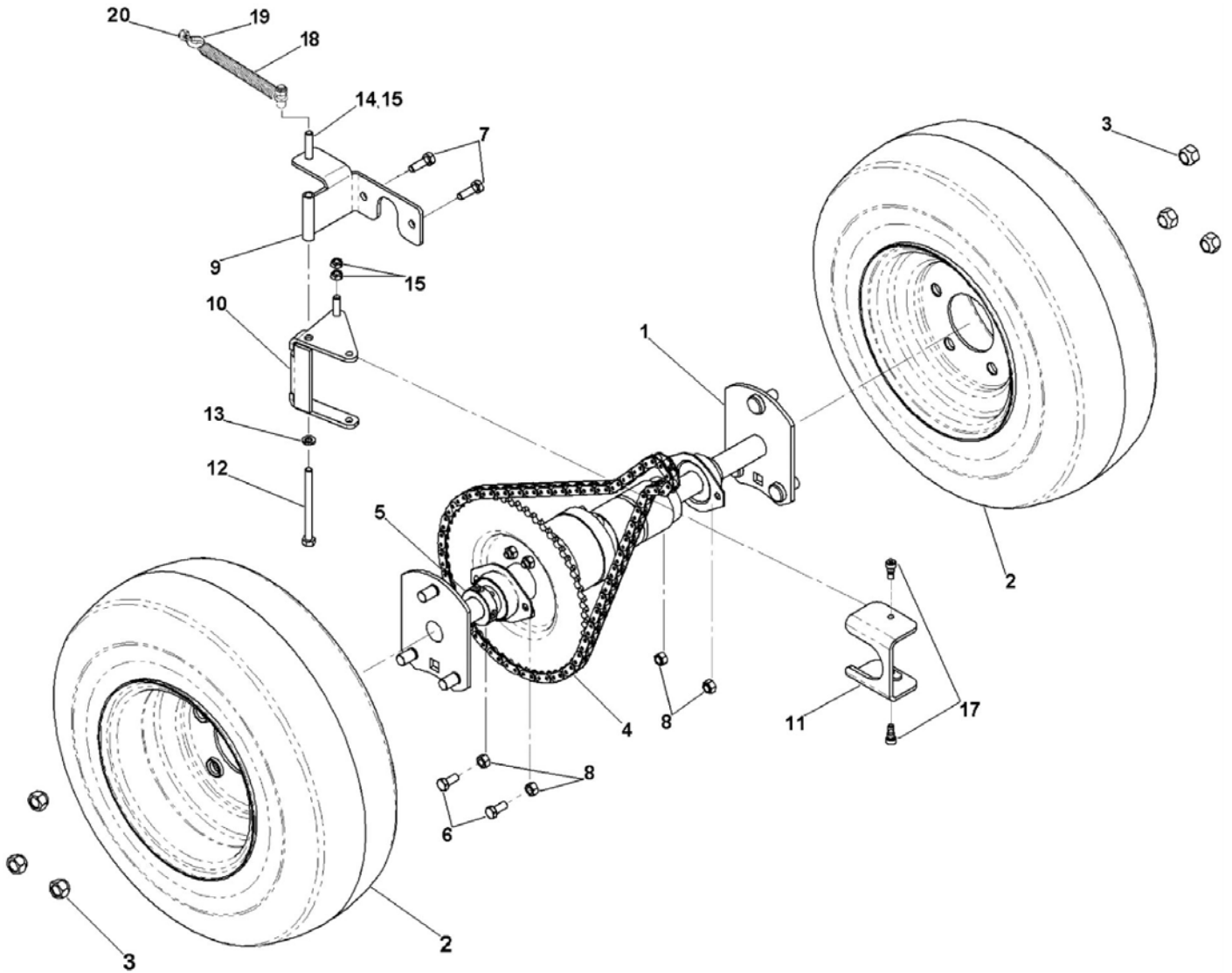
## ***Parts List - Differential and Wheel Assembly***

<b>Ref#</b>	<b>Part#</b>	<b>Description</b>
01	192301	Differential, Lock In/Out
02	150621	Wheel & Tire, 18" x 6.50"- 8", Terrain, 5 Lug
	151721	Wheel & Tire, 18" x 6.50"- 8", Turf, 5 Lug
	192891	Wheel, Grey, 5 Lug
	209371	Wheel Stud, 1/2"-20
03	165221	Nut, Lug, 1/2"-20
04	150191	Chain, #40, 88 Pitches with Master Link
05	151971	Split Collar, 1.00" ID x 1.75" OD, Clamp-On w/Set Screws
06	123211	Bolt, 5/16"-18 x 3/4", HCS, GR 5
07	111581	Bolt, 5/16"-18 x 1", HCS, GR 2
08	110761	Nut, Nylon Lock, 5/16"-18
09	190601	Support Assembly, Pivot, Lock In/Out
10	190591	Bracket, Cam Pivot, Lock In/Out
11	190581	Cam, Lock In/Out Differential
12	187571	Bolt, 5/16"-18 x 3-3/4", HCS
13	112431	Washer, Lock, 5/16", Split
17	192321	Screw, Shoulder, 1/4"-20, Lock, .312" Body
18	193511	Spring, Ext., 1/2" OD x 4.0" L
19	175521	Eyebolt, 10-24, 1/2"
20	118731	Nut, Nylon Lock, 10-24

**CALL US TOLL FREE  
1-888-900-CONX(2669)**

**EMAIL US  
INFO@CONXEQUIPMENT.COM**

*Schematic - Differential and Wheel Assembly*



**CALL US TOLL FREE  
1-888-900-CONX(2669)**

**EMAIL US  
INFO@CONXEQUIPMENT.COM**