



Rhino Parts List

PD-110 Air Operated Post Driver & Accessories

NO.	DESCRIPTION	PART NO.	NO. REQUIRED
	Model PD-110 with 4 1/4" (107.9 mm) I.D. Master Chuck	070014	
1	Body	070585	1
2	Piston	070046	1
3	Top Cover	070595	1
4	O-Ring	499403	1
5	Cap Screw	500022	6
6	Compression Washer	517705	6
7	Model/Serial No. Plate	241	1
8	Warning Plate	242	1
9	Metal Tack	519004	8
10	Pipe Plug	230400	1
11	Cap Screw	500178	4
12	Compression Washer	517702	4
13	Gasket	700002	1
14	4 1/4" (107.9 mm) I.D. Master Chuck Assembly (Includes Nos. 11, 12, 13, 14, 15, 25)	070593	1
15	Rhino Decal	135	1
16	Cap Screw	500178	2
17	Compression Washer	517702	2
18	3 5/8" (92 mm) I.D. Chuck Adapter*	070622	
	3" (76.2 mm) I.D. Chuck Adapter*	070623	
	2 1/2" (63.5 mm) I.D. Chuck Adapter*	070624	
	2" (50.8 mm) I.D. Chuck Adapter*	070625	
19	Channel Post Chuck Adapter (1.2 to 1.5 lbs/ft Posts)*	070628	
	Channel Post Chuck Adapter (2 to 2.75 lbs/ft Posts)*	070629	
	Channel Post Chuck Adapter (3 to 4 lbs/ft Posts)*	070630	
	*See Chuck Sizing Tech Data (Form No. 121-1); Includes Necessary Cap Screws and Compression Washers		
	Throttle Valve Kit with 2 ft Hose Assembly (Includes Nos. 20, 21, 22, 23, 24)	600000	
20	3/4" (19 mm) Hose Assembly	607000	1
	3/4" (19 mm) Hose Per Foot (Order Length Needed)	605006	
21	Throttle Valve with Lever Guard	610026	1
22	Pipe Nipple	230401	1
23	Coupler	606600	2
24	Safety Clip	606601	1
25	Warning Label	245	1

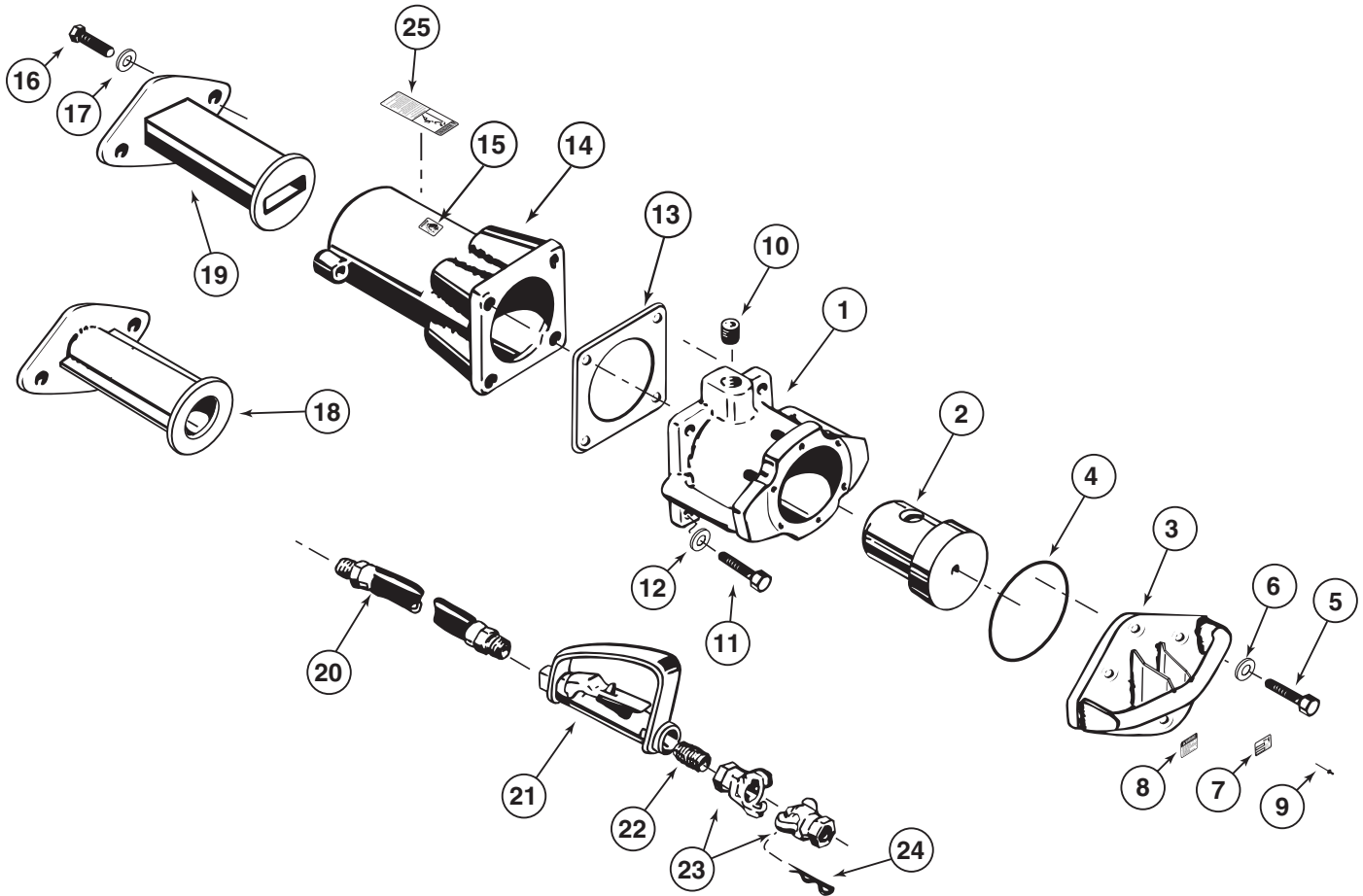


CALL US TOLL FREE
1-888-900-CONX(2669)

EMAIL US
INFO@CONXEQUIPMENT.COM

Rhino Exploded View

PD-110 Air Operated Post Driver & Accessories



CALL US TOLL FREE
1-888-900-CONX(2669)

EMAIL US
INFO@CONSEQUIMENT.COM