



Rhino Parts List

PD-140 Air Operated Post Driver & Accessories

NO.	DESCRIPTION	PART NO.	NO. REQUIRED
	Model PD-140 with 4 1/4" (107.9 mm) I.D. Master Chuck	070015	
1	Body	070585	1
2	Piston	070046	1
3	Top Cover	070595	1
4	O-Ring	499403	1
5	Cap Screw	500023	6
6	Compression Washer	517705	6
7	Model/Serial No. Plate	241	1
8	Warning Plate	242	1
9	Metal Tack	519004	8
10	Pipe Plug	230400	1
11	Cap Screw	500182	4
12	Compression Washer	517702	4
13	Gasket	700002	1
14	4 1/4" (107.9 mm) I.D. Master Chuck Assembly (Includes Nos. 11, 12, 13, 14, 15, 28)	070594	1
15	Rhino Decal	135	1
16	Cap Screw	500178	2
17	Compression Washer	517702	2
18	3 5/8" (92 mm) I.D. Chuck Adapter*	070634	
	3" (76.2 mm) I.D. Chuck Adapter*	070635	
	2 1/2" (63.5 mm) I.D. Chuck Adapter*	070636	
19	Channel Post Chuck Adapter (1.2 to 1.5 lbs/ft Posts)*	070640	
	Channel Post Chuck Adapter (2 to 2.75 lbs/ft Posts)*	070641	
	Channel Post Chuck Adapter (3 to 4 lbs/ft Posts)*	070642	
20	4" x 6" (101 mm x 152 mm) H Column Chuck*	070061	1
21	4" x 6" (101 mm x 152 mm) H Column Drive Cap	070062-T	1
22	4" x 4" (101 mm x 101 mm) Wood Post Chuck*	070063	1
	*See Chuck Sizing Tech Data (Form No. 121-1); Includes Necessary Cap Screws and Compression Washers		
	Throttle Valve Kit with 2 ft Hose Assembly (Includes Nos. 23, 24, 25, 26, 27)	600000	
23	3/4" (19 mm) Hose Assembly	607000	1
	3/4" (19 mm) Hose Per Foot (Order Length Needed)	605006	
24	Throttle Valve with Lever Guard	610026	1
25	Pipe Nipple	230401	1
26	Coupler	606600	2
27	Safety Clip	606601	1
28	Warning Label	245	1

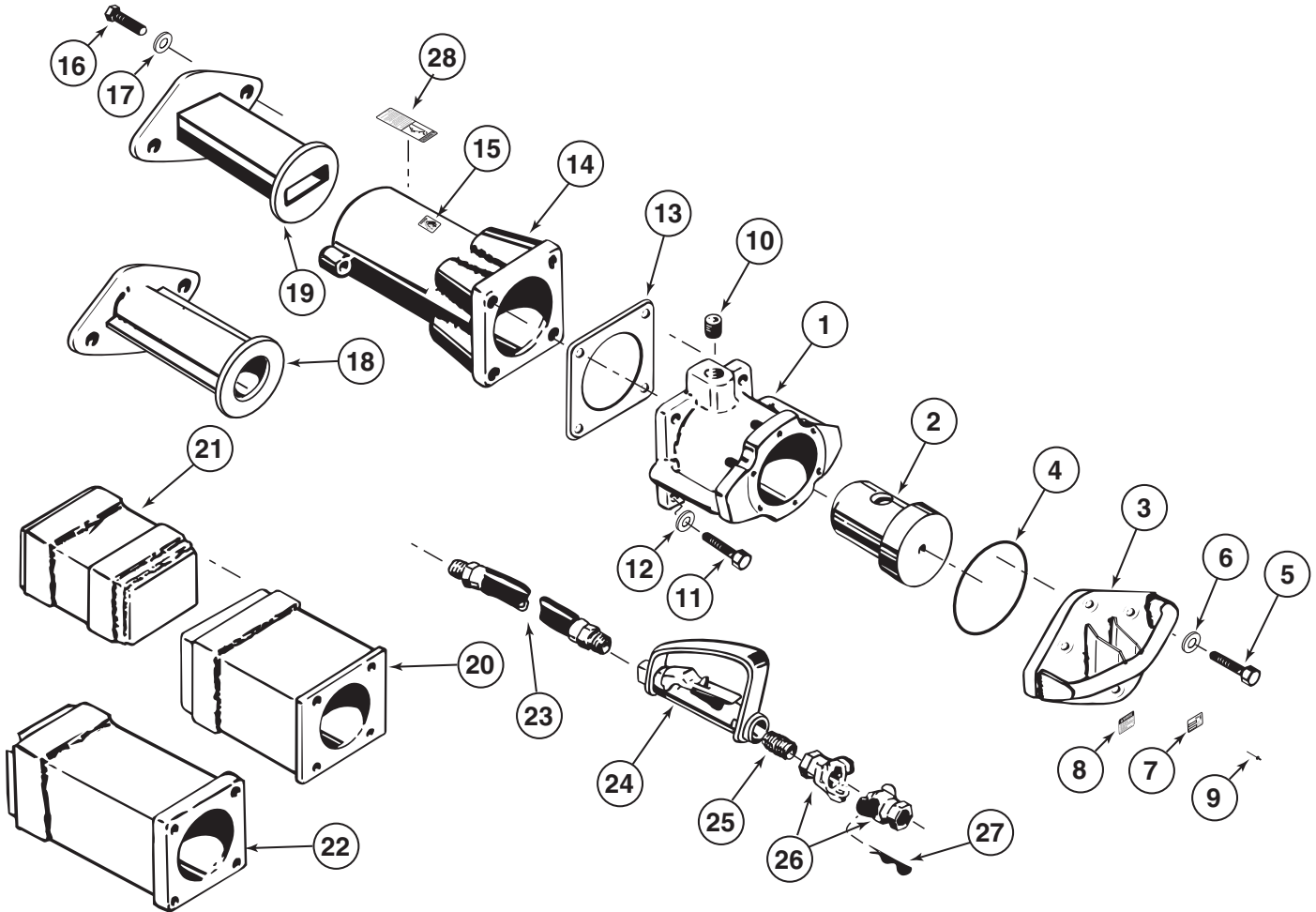


CALL US TOLL FREE
1-888-900-CONX(2669)

EMAIL US
INFO@CONXEQUIPMENT.COM

Rhino Exploded View

PD-140 Air Operated Post Driver & Accessories



CALL US TOLL FREE
1-888-900-CONX(2669)

EMAIL US
INFO@CONSEQUIMENT.COM