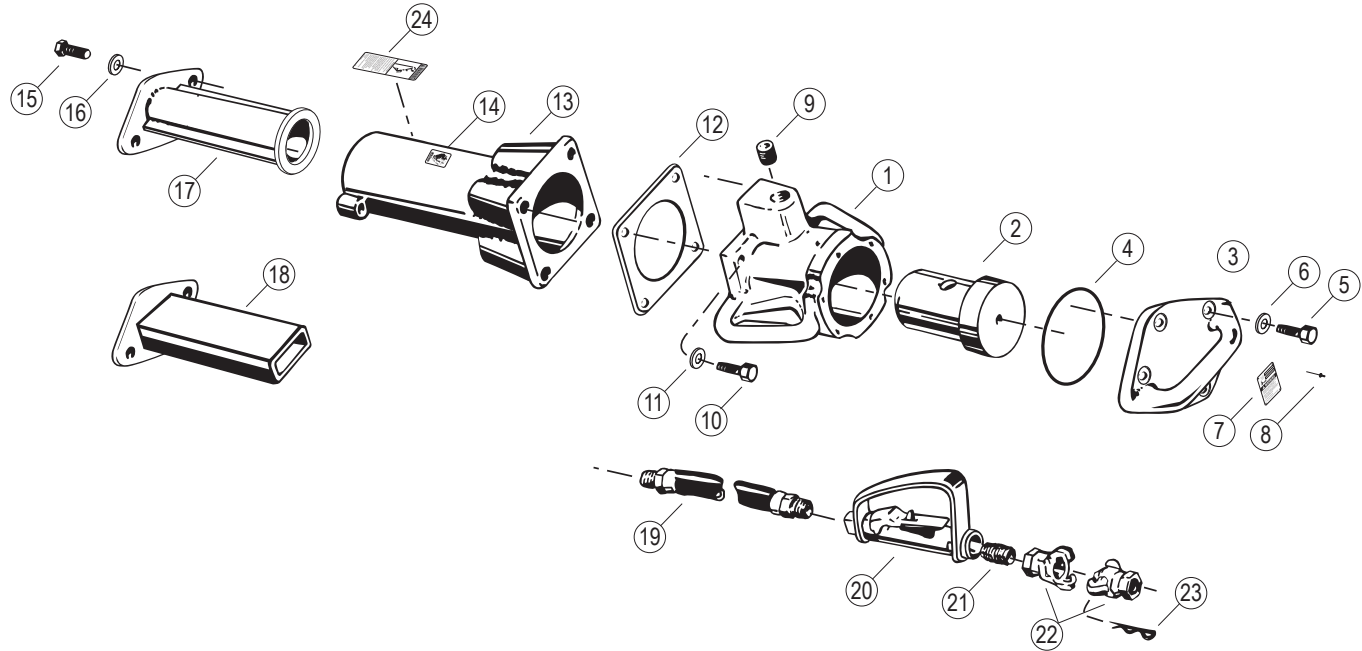


Rhino® PD-45 Driver Parts List



Rhino® PD-45 Driver Parts List

Number	Part No.	Name	Number	Part No.	Name
	070012	Model PD-45 with 3" (76.2 mm) I.D. Master Chuck	15	500178	Cap Screw (2 w/optional adapter)
1	070096	Body	16	517702	Compression Washer (2 per driver)
2	070023	Piston	17	070600	(Optional) 2 1/2" (63.5 mm) I.D. Chuck Adapter**
3	070097	Top Cover	18	070606	(Optional) Channel Post Chuck Adapter**
4	499402	O-ring		600000	Throttle Valve Kit w/ 5 ft. Hose Assembly ***
5	500082	Cap Screw (6 per driver)	19	607000	3/4" (19 mm) Hose Assembly
6	517696	Compression Washer (6 per driver)	19	605006	3/4" (19 mm) Hose Per Foot (Order Length Needed)
7	235	Model/Serial No./Warning Plate	20	610026	Throttle Valve with Lever Guard
8	519004	Metal Tack (4 per driver)	21	610024	Screen Fitting
9	230400	Pipe Plug	22	606600	Coupler (2 per driver)
10	500178	Cap Screw (4 per driver)	23	606601	Safety Clip
11	517702	Compression Washer (4 per driver)	24	244	Warning Label
12	700007	Gasket			* Includes number 10, 11, 12, 13, 14, 24
13	070591	3" (76.2 mm) I.D. Master Chuck Assembly*			** See pages 4—6 for specifying Chuck Adapter to your application
14	135	Rhino Decal			*** Includes number 19, 20, 21, 22, 23