

Power Dog™ **Parts Breakdown**

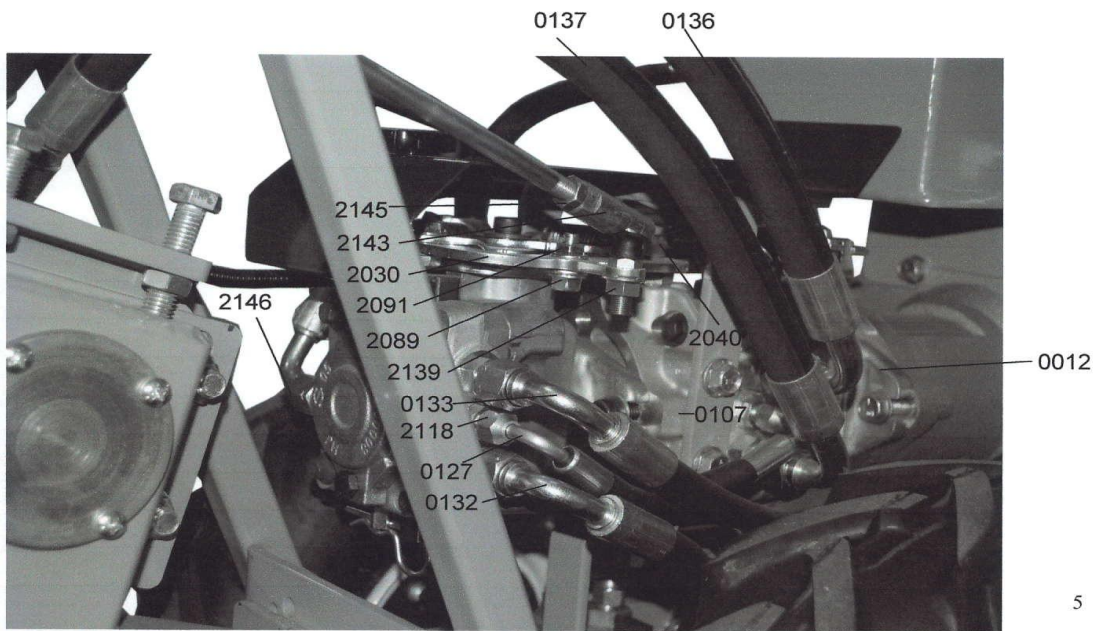
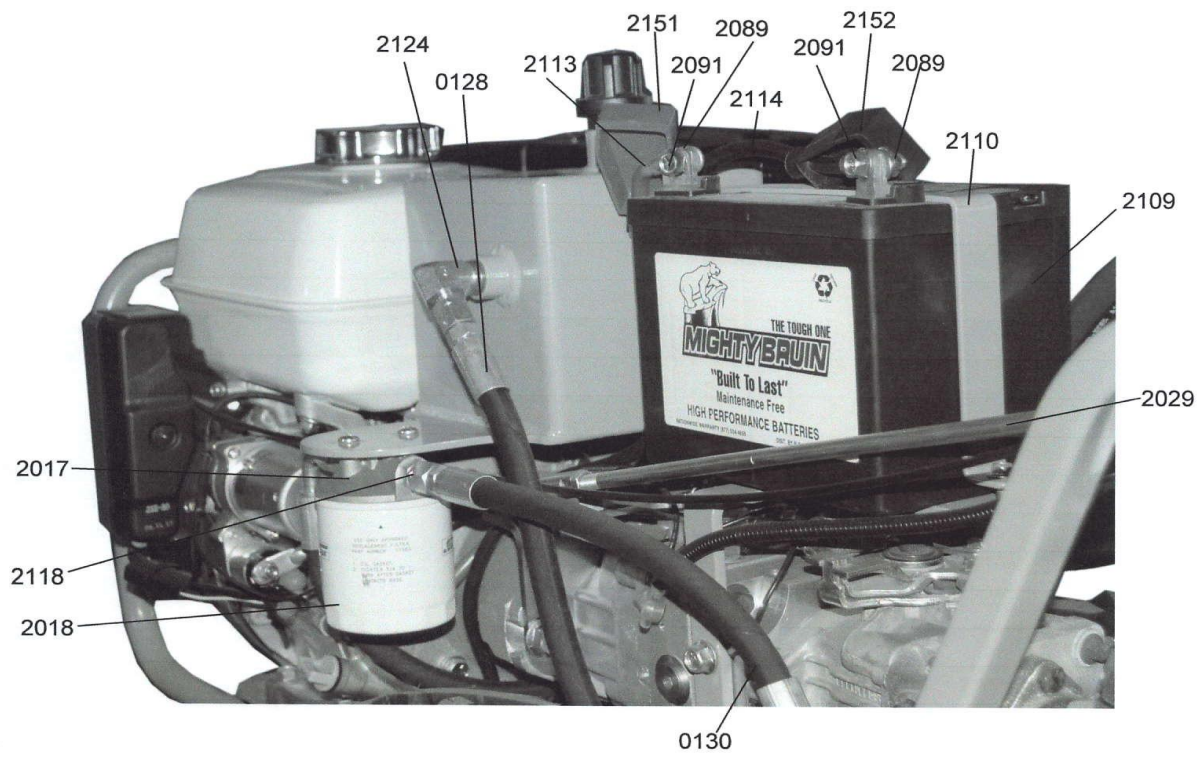
Commercial/Industrial Products

209

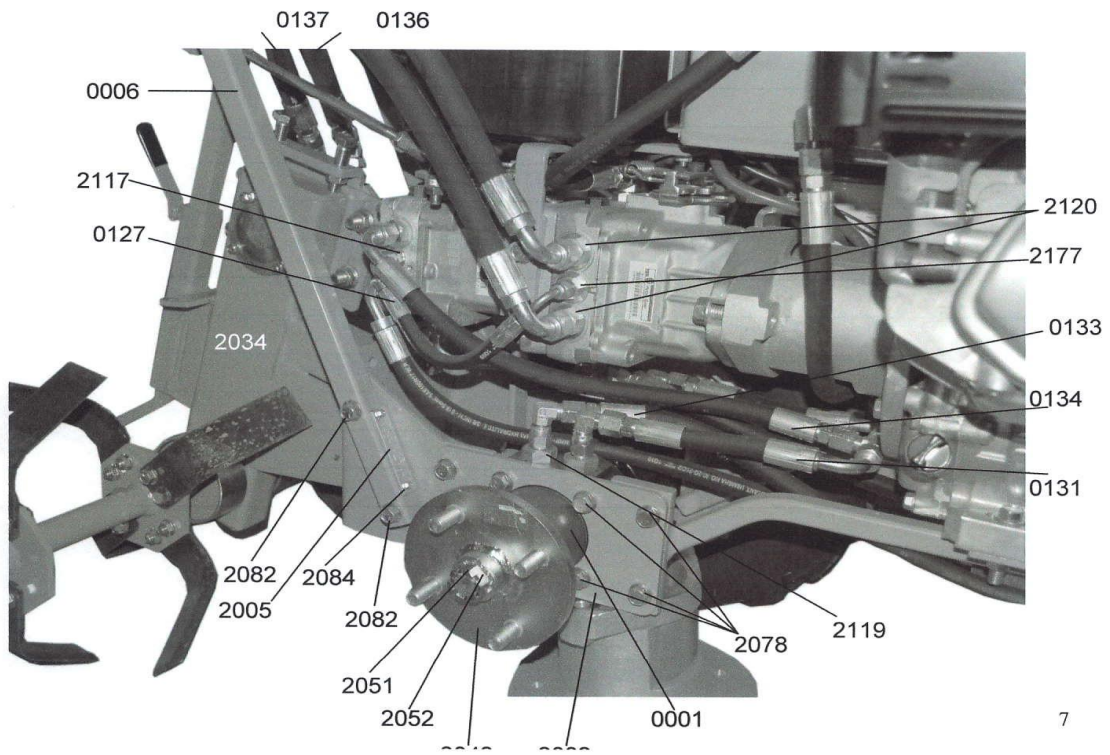
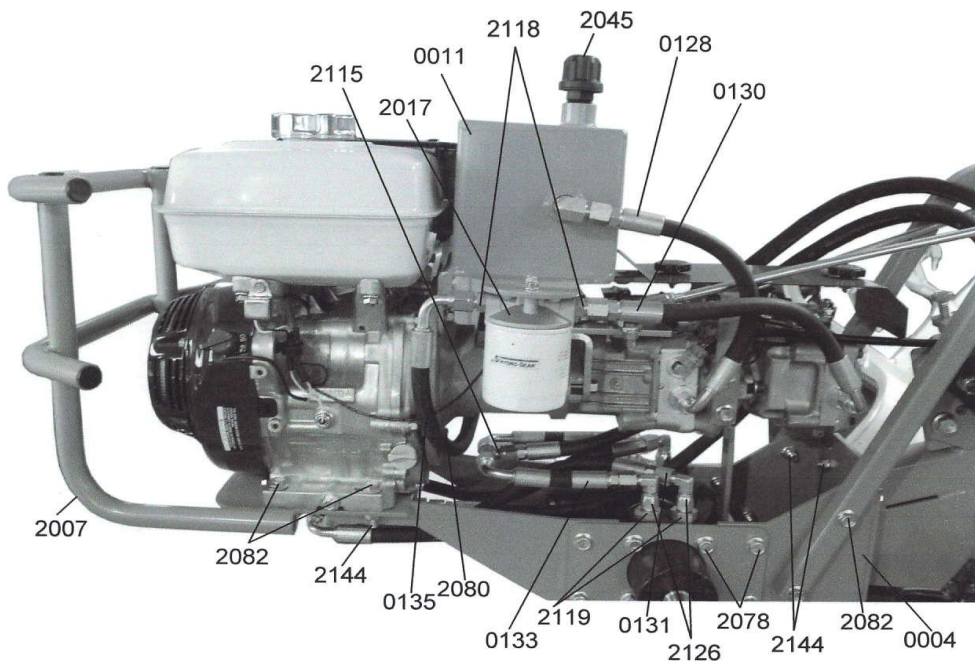


<u>PART #</u>	<u>DESCRIPTION</u>
KP0003	bracket, front
KP0004	bracket, rear
KP0006	bracket, handle
KP0010	mount, pump
KP0011	tank, reservoir
KP0012	pump, large
KP0014	pump, small
KP0021	motor, tine
KP0022	cover, tine
KP0023	flap, tine
KP0032	bracket, safety L
KP0050	engine
KP0131	hose, 3/8 x 14.75" wheel motor
KP0133	hose, 3/8 x 22.75" wheel motor
KP0135	hose, 3/8 x 21.75" supply
KP0147	decal, 209
KP2002	plate, wheel motor
KP2007	bumper, front
KP2015	bracket, pump
KP2016	tightner, depth bar
KP2017	head, filter
KP2018	filter
KP2020	tine
KP2025	handle
KP2027	rod, drive control
KP2028	bracket, tine control
KP2029	rod, tiller control
KP2031	bracket, neutral control
KP2033	bracket, safety flat
KP2040	switch, neutral (white)
KP2041	throttle control 71"
KP2042	valve stem
KP2045	cap, breather
KP2046	wheel, 8 x 3.75
KP2047	tire, 480 x 8 4ply
KP2048	hub
KP2049	depth bar
KP2051	cotter pin
KP2052	nut, wheel
KP2054	decal, round logo
KP2056	decal, power dog
KP2058	decal, warning
KP2061	wire harness
KP2067	nut, 1/4", nylock
KP2069	washer, 1/4"
KP2074	bolt, 1/4 x 3 1/4", carriage
KP2078	bolt, 3/8 x 1" fl
KP2089	nut, 5/26", fl
KP2090	bolt 5/16 x 1/2" fl
KP2104	grip, 3/8"
KP2105	sleeve, rubber, 1/8 x 3/4"
KP2115	fitting, 2603-6-6-6
KP2118	fitting, 6400-6-6
KP2140	knob, 1/4 - 20
KP2141	shield, pump

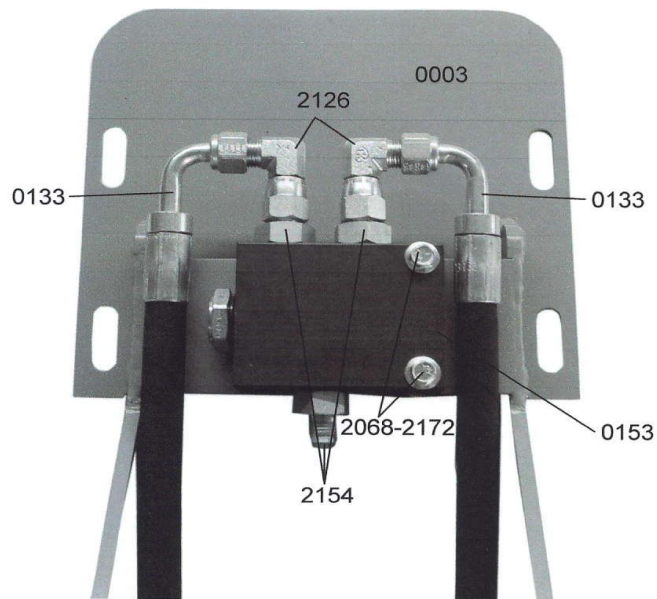
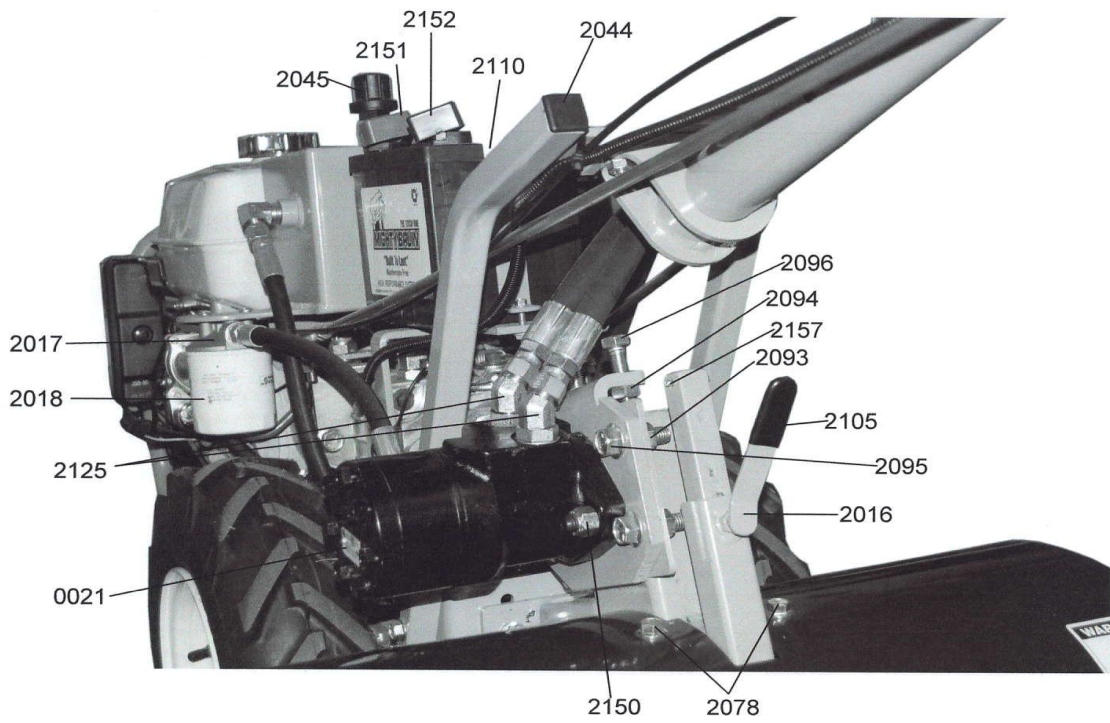
<u>PART #</u>	<u>DESCRIPTION</u>
KP0012	pump, large
KP0107	bracket, battery
KP0124	fitting, 2501-6-8
KP0127	hose, 1/4" connecting
KP0128	hose, 3/8 x 12.50" return
KP0130	hose, 3/8 x 13.25" suction
KP0132	hose, 3/8 x 17.75" small pump
KP0133	hose, 3/8 x 22.75 wheel motor hose
KP0134	hose, 3/8 x 20.75" small pump
KP0136	hose, 1/2 x 21.13" tine motor (front port)
KP0137	hose, 1/2 x 23.13" tine motor (back port)
KP2017	filter head
KP2018	filter
KP2029	rod, tiller control
KP2030	plate, safety reverse
KP2031	bracket, neutral control
KP2040	switch, neutral (white)
KP2089	nut, 5/16" fl
KP2091	bolt, 5/16 x 3/4" fl
KP2109	battery, U1L-400
KP2110	hold down, battery
KP2113	cable, red
KP2114	cable, black
KP2118	fitting, 6400-6-6
KP2124	fitting, 2501-6-8
KP2139	nut, 3/8 - 24 fl
KP2143	ball joint 3/8 - 24
KP2145	nut, 3/8 - 24 jam
KP2146	bridge pin, #4
KP2151	boot (red)
KP2152	boot, (black)



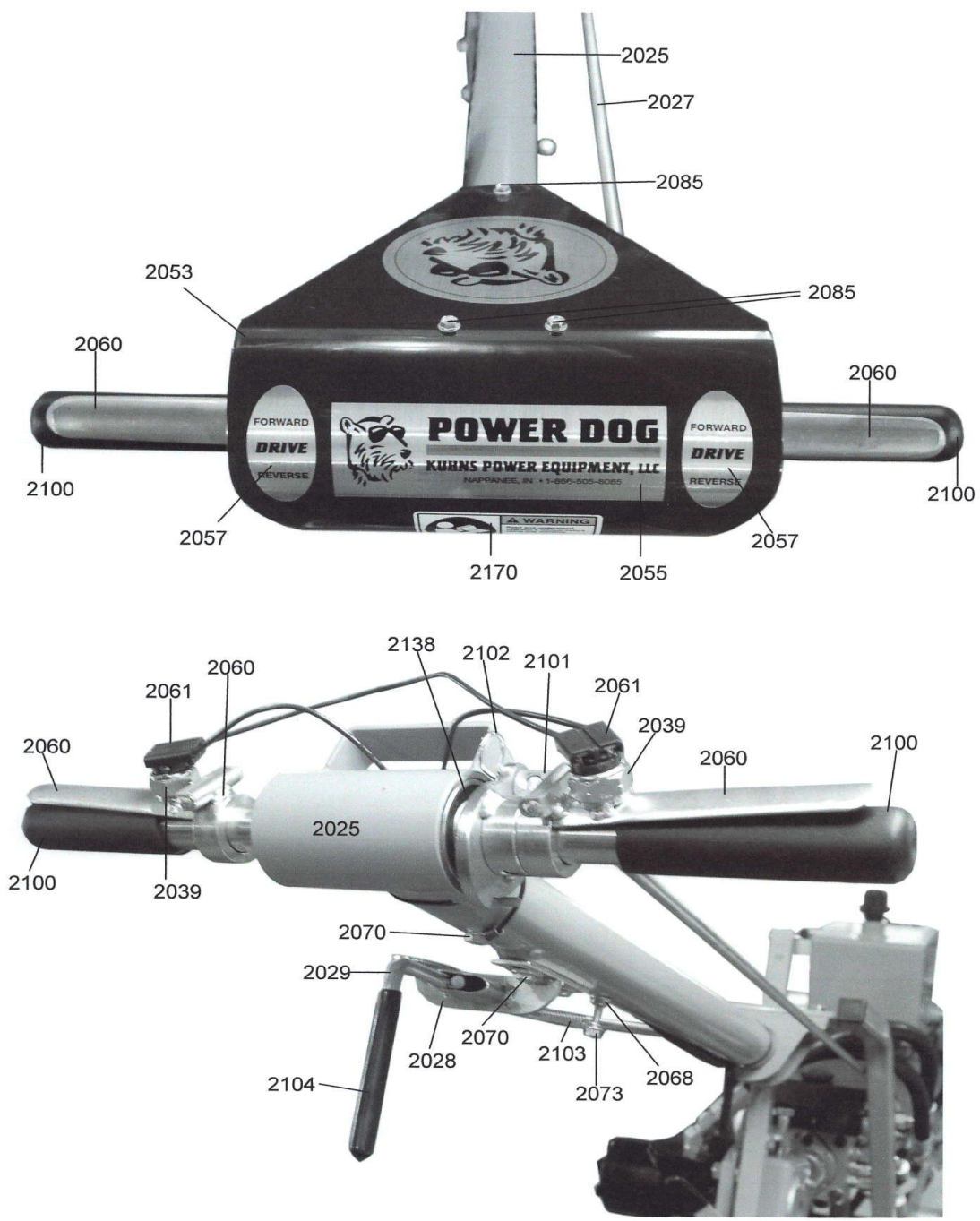
<u>PART #</u>	<u>DESCRIPTION</u>
KP0001	motor, wheel
KP0004	bracket, rear
KP0006	bracket, handle
KP0011	tank, reservoir
KP0050	engine
KP0127	hose, 1/4" connecting
KP0128	hose, 3/8 x 12.5" return
KP0130	hose, 3/8 x 13.25" suction
KP0131	hose, 3/8 x 14.75" wheel motor
KP0132	hose, 3/8 x 17.75" small pump
KP0133	hose, 3/8 x 22.75" wheel motor
KP0134	hose, 3/8 x 20.75" small pump
KP0135	hose, 3/8 x 21.75" supply
KP0136	hose, 1/2 x 21.13" tine motor (front port)
KP0137	hose, 1/2 x 23.13" tine motor (back port)
KP2002	plate, wheel motor
KP2005	# tag 1/8 x 3/4 x 3" alum.
KP2007	bumper, front
KP2017	head, filter
KP2018	filter
KP2034	tine, weldment
KP2048	hub
KP2051	cotterpin
KP2052	nut, wheel
KP2078	bolt, 3/8 x 1" fl
KP2080	bolt, 3/8 x 1 1/4" fl
KP2082	bolt, 3/8 x 1 3/4" fl
KP2084	self taper, #6 x 3/4"
KP2115	fitting, 2603-6-6-6
KP2117	fitting, 6400-4-4
KP2118	fitting, 6400-6-6
KP2119	fitting, 6400-6-10
KP2120	fitting, 6400-8-8
KP2126	fitting, 6500-6-6
KP2144	nut, 3/8" fl



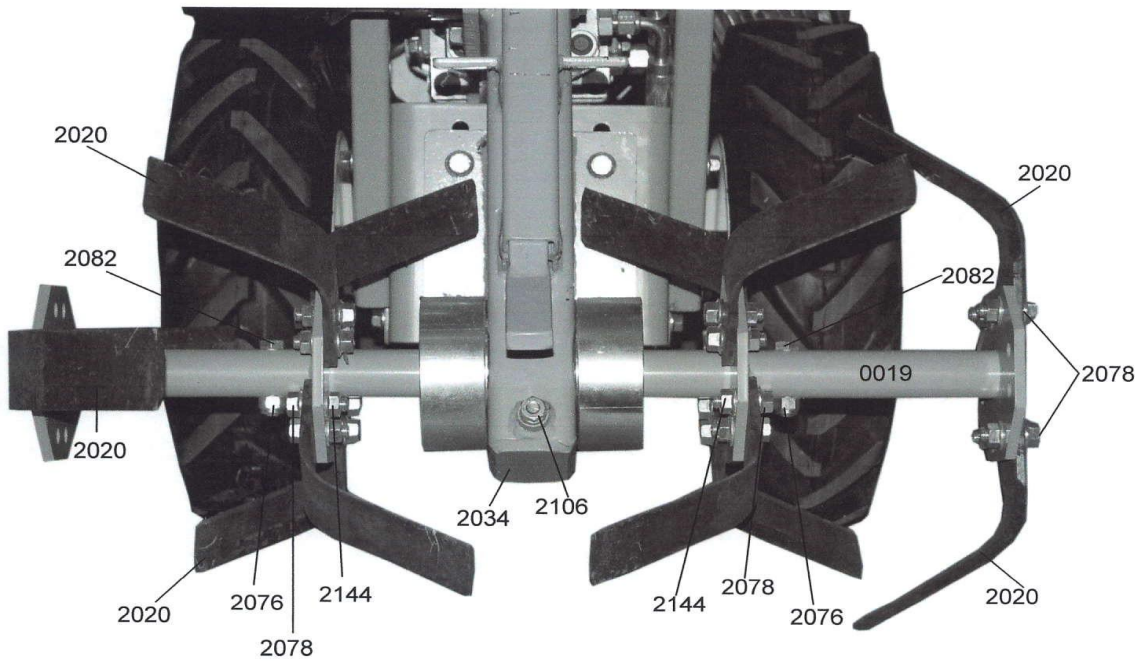
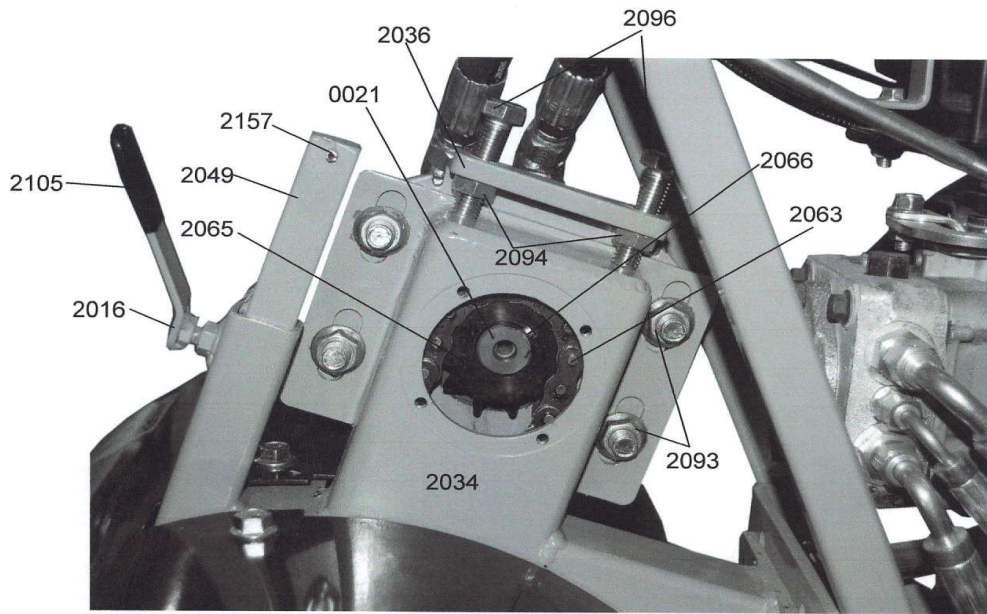
<u>PART #</u>	<u>DESCRIPTION</u>
KP0003	bracket, front
KP0021	motor, tine
KP0133	hose, 3/8 x 22.75" wheel motor
KP0153	flow divider
KP2016	tightner, depth bar
KP2017	head, filter
KP2018	filter
KP2044	plug, 1" square
KP2045	cap, breather
KP2068	nut, 1/4" fl
KP2078	bolt, 3/8 x 1" fl
KP2093	nut, 1/2" fl
KP2094	nut, 1/2" jam
KP2095	bolt, 1/2 x 1 1/2" fl
KP2096	bolt, 1/2 x 2 x 2" full thread
KP2105	sleeve, rubber, 1/8 x 3/4"
KP2109	battery, U1L-400
KP2110	hold down, battery
KP2125	fitting, 6802-8-10
KP2126	fitting, 6500-6-6
KP2144	nut, 3/8" fl
KP2150	nut, 1/2" nylock
KP2151	boot (red)
KP2152	boot (black)
KP2154	fitting, 6400-6-8
KP2157	roll pin
KP2172	bolt, 1/4 x 1 1/34 fl



<u>PART #</u>	<u>DESCRIPTION</u>
KP2025	handle
KP2026	handle bar
KP2027	rod, drive control
KP2028	bracket, tine control
KP2029	rod, tiller control
KP2039	switch, safety (black)
KP2041	throttle control
KP2053	cover, handle bar
KP2054	decal, round logo
KP2055	decal, info.
KP2057	decal, forward/reverse
KP2059	collar, drive
KP2060	paddle, safety
KP2061	wire harness
KP2068	nut, 1/4" fl
KP2069	washer, 1/4"
KP2070	bolt, 1/4 x 1/2" fl
KP2073	bolt, 1/4 x 1 1/4" fl
KP2085	self taper, #12 x 3/4"
KP2100	grip, 7/8"
KP2101	block, swivel 3/8 - 16
KP2102	bridge pin #3
KP2103	spring
KP2104	grip, 3/8"
KP2138	bearing, handle bar
KP2170	decal, manual warning



<u>PART #</u>	<u>DESCRIPTION</u>
KP0001	motor, wheel
KP0006	bracket, handle
KP0019	bracket, tine
KP0021	motor, tine
KP2016	tightner, depth bar
KP2020	tine
KP2049	depth bar
KP2034	weldment, tine
KP2036	bracket, motor mount
KP2052	nut, wheel
KP2062	holder, bearing
KP2063	chain, #50
KP2065	sprocket, 50 x 12t-1" bore
KP2066	key, 1/4"
KP2076	nut, 3/8" nylock
KP2078	bolt, 3/8 x 1" fl
KP2082	bolt, 3/8" x 1 3/4" fl
KP2093	nut, 1/2" fl
KP2094	nut, 1/2" jam
KP2096	bolt, 1/2 x 2" full thread
KP2105	sleeve, rubber 1/8 x 3/4"
KP2106	plug, 1/4" pipe
KP2144	nut, 3/8" fl
KP2157	roll pin



<u>PART #</u>	<u>DESCRIPTION</u>
KP0009	coupler, love/joy
KP0010	mount, pump
KP0012	pump, large
KP0013	kit, pump assembly
KP0014	pump, small
KP0019	bracket, tine
KP0116	fitting, 6400-4-2
KP0127	hose, 1/4" connecting
KP0142	return to neutral
KP2016	tightner, depth bar
KP2024	plate, cover
KP2034	weldment, tine
KP2035	tine shaft w/sprocket
KP2062	holder, bearing
KP2063	chain, #50
KP2064	connecting link
KP2065	sprocket, 50 x 12t-1" bore
KP2066	key, 1/4"
KP2071	bolt, 1/4 x 5/8 soc. hd.
KP2075	key, 3/16"
KP2078	bolt, 3/8 x 1" fl
KP2082	bolt, 3/8 x 1 3/4" fl
KP2098	seal, oil
KP2099	bearing, tine shaft
KP2105	sleeve, rubber 1/8 x 3/4"
KP2106	plug, 1/4" pipe
KP2117	fitting, 6400-4-4
KP2148	bolt, 3/8 x 3/4" HHCS

