

# US40A (C.S.A)

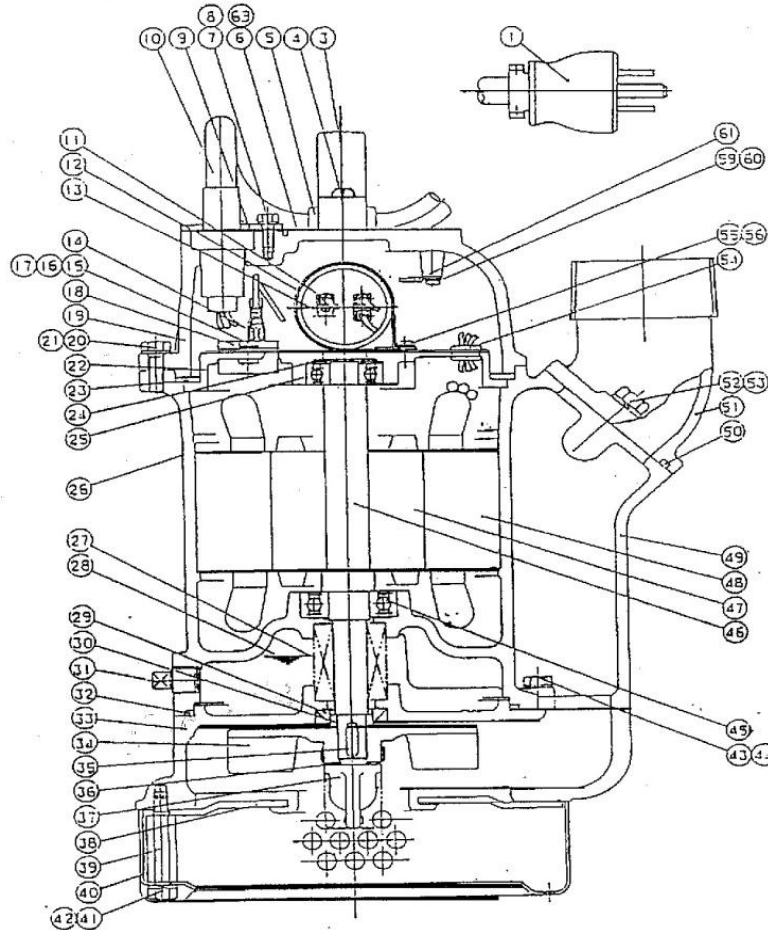
## PARTS LIST / LISTE DE PIECES

ITEM# # D'ITEM	PART# #DE PIECE	QTY. QTE	DESCRIPTION DESCRIPTION
1	CSA3P	1	PLUG
3	80033	1	HANDLE
4	PUM625	2	SCREW
5	70091	1	RUBBER BUSHING
6	73913	1	NAME PLATE
7	BUM512	2	HEX. BOLT
8	SWUM5B	2	SPRING WASHER
9	76057	1	GLAND
10	UCC3B5C5A	1	ELECTRIC CABLE
11	TT028	3	CONNECTOR TIP
12	74112	1	BAND
13	C25046SH	1	RCAPACITOR
14	TT028	2	CONNECTOR TIP
15	PSM410	2	SCREW
16	SWM4B	2	SPRING WASHER
17	WSM4A	2	WASHER
18	MGT22AGZ	1	AUTO-CUT
19	22158	1	HEAD COVER
20	BUM620	4	HEX.BOLT
21	SWUM6B	4	SPRING WASHER
22	22128	1	MOTOR BRACKET
23	70133	1	PACKING
24	WW32	1	WAVE WASHER
25	B6201ZZNC	1	BEARING
26	731211	1	WARNING LABEL
27	MW15C	1	MECH. SEAL
28	T330S		LUBRICANT
29	SC17307	1	OIL SEAL
30	31061	1	SHAFT SLEEVE
31	PLUPT2B	1	OIL PLUG
32	OB29	1	O-RING
33	12241	1	CASING
34	10490	1	IMPELLER
35	K5514A	1	IMPELLER KEY

ITEM# #D'ITEM	PART# #DE PIECE	QTY. QTE	DESCRIPTION DESCRIPTION
36	TLWM12	1	LOCK WASHER
37	64047	1	IMPELLER NUT
38	13163	1	SUCTION COVER
39	60112	3	STRAINER BOLT
40	14129	1	STRAINER
41	NUM6A	3	HEX. NUT
42	SWUM6B	3	SPRING WASHER
43	BUM620	4	HEX. BOLT
44	SWUM6B	4	SPRING WASHER
45	B6203ZZ	1	BEARING
46	30161	1	MOTOR SHAFT
47	50176	1	ROTOR
48	51241	1	STATOR
49	20187	1	MOTOR FRAME
50	OG55	1	O-RING
51	NPT-2"	1	NPT. COUPLING
52	BUM825	2	HEX. BOLT
53	SWUM8B	2	SPRING WASHER
54	70135	1	RUBBER BUSHING
55	PSM48	1	SCREW
56	SWM4B	1	SPRING WASHER
59	PSM46	1	SCREW
60	SWM4B	1	SPRING WASHER
61	TT1.25-4	1	TIP
63	HRB2.2-3.2	4	RIVET
64	70101	1	RUBBER SLEEVE

**CALL US TOLL FREE  
1-888-900-CONX(2669)**

**EMAIL US  
INFO@CONXEQUIPMENT.COM**



**US40A** (C.S.A.)

**CALL US TOLL FREE**  
**1-888-900-CONX(2669)**

**EMAIL US**  
**INFO@CONXEQUIPMENT.COM**