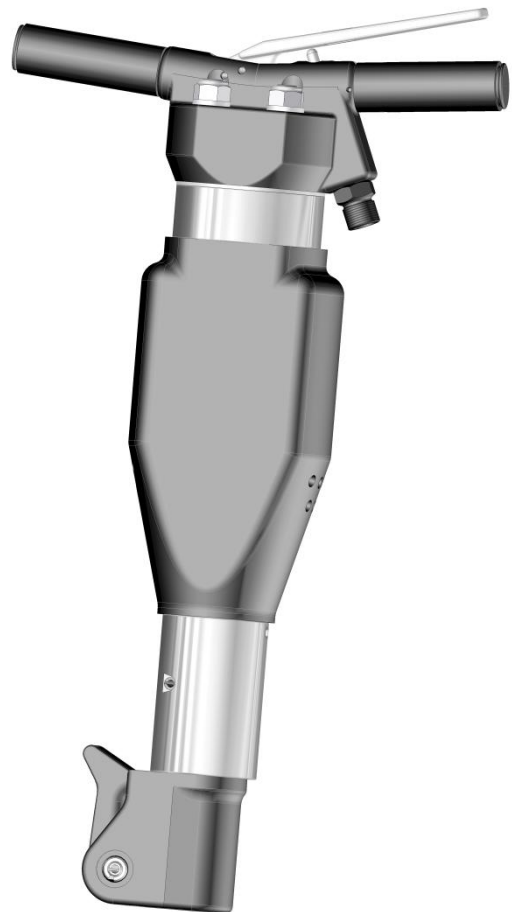
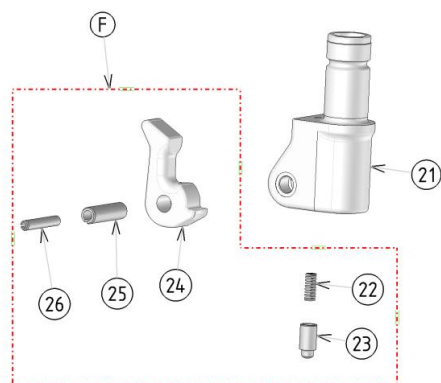
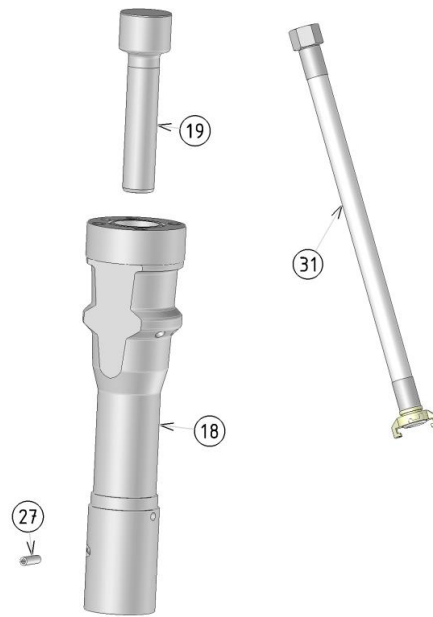
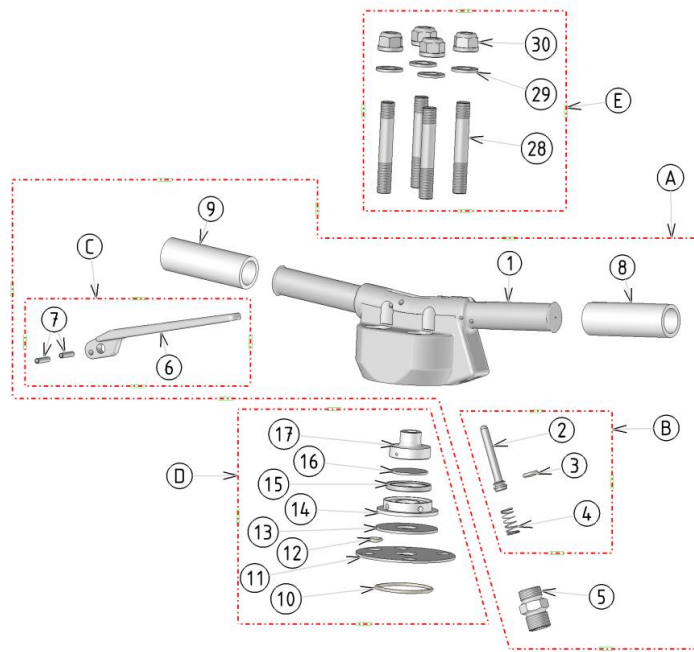


BRISE BETON - PAVING BREAKER

XB32 - XB40





Ref.	Part #	Nombre	Désignation	Description	Designación
1	XMAP04255	1	- Poignée	- Handle	- Empuñadura
2	XMAP03505	1	- Soupape	- Valve	- Válvula
3	XMAP00886	1	- Joint	- O-ring	- Junta
4	XMAP00890	1	- Ressort	- Spring	- Muelle
5	XMAP03552	1	- Mamelon BB32	- BB32 Nipple	- Racor BB32
	XMAP03751		- Mamelon BB40	- BB40 Nipple	- Racor BB40
6	XMAP03531	1	- Gâchette	- Trigger	- Gatillo
7	XMAS03555	1	- Goupille	- Pin	- Eje
8	XMAP03559	1	- Garniture	- Grip	- Agarre
9	XMAP03559	1	- Garniture	- Grip	- Agarre
10	XMAS03553	1	- Joint	- O-Ring	- Junta
11	XMAP03503	1	- Bouclier	- Shield	- Protección
12	XMAS03554	1	- Joint	- O-Ring	- Junta
13	XMAP03389	1	- Joint	- Gasket	- Junta
14	XMAP03390	1	- Siège de frappe	- Seat	- Silla de impacto
15	XMAP03391	1	- Plaque d'épaisseur	- Shimplate	- Placa
16	XMAP03558	1	- Pastille	- Insert	- Pastilla
17	XMAP03393	1	- Siège de relève	- Up-Seat	- Silla de levantada
18	XMAP03450	1	- Cylindre BB32	- BB32 Cylinder	- Cilindro BB32
	XMAP03451		- Cylindre BB40	- BB40 Cylinder	- Cilindro BB40
19	XMAP00869	1	- Piston BB32	- BB32 Piston	- Pistón BB32
	XMAP03460		- Piston BB40	- BB40 Piston	- Pistón BB40
20	XMAP03686	1	- OPTION : Atténuateur	- OPTION : Muffler	- OPTION : Mufla
21	XMAP00863	1	- Manchon Chape H 28x160	- Fronthead 1''1/8x6''	- Mango revestimiento 28x160
	XMAP02013		- Manchon Chape H 32x160	- Fronthead 1''1/4x6''	- Mango revestimiento 32x160
22	XMAP00865	1	- Ressort	- Spring	- Muelle
23	XMAP00866	1	- Taquet	- Dog	- Tope
24	XMAP00864	1	- Loquet	- Latch	- Pestillo
25	XMAS00873	1	- Goupille	- Pin	- Eje
26	XMAS00874	1	- Goupille	- Pin	- Eje
27	XMAS05008	1	- Goupille	- Pin	- Eje
28	XMAS03551	4	- Goujon	- Stud	- Pasador
29	XMAS03191	4	- Rondelle	- Washer	- Arandela
30	XMAS02003	4	- Ecrou	- Nut	- Tuerca
31	XMAP03550	1	- Manchette	- Hose coupling	- Manguera

KIT	Part #		Kit Pour Réparation	Repair Kit	Kit de Reparación
A	XMKS03755		- Kit Poignée complète	- Complete handle Kit	- Kit Empuñadura completa
			1, 2, 3, 4, 5, 6, 7(x2), 8, 9		
B	XMKS03704		- Kit Soupape	- Valve Kit	- Kit Válvula
			2, 3, 4		
C	XMKS03752		- Kit Gâchette	- Trigger Kit	- Kit Gatillo
			6, 7(x2)		
D	XMKS03702		- Kit Distribution	- Inlet valve Kit	- Kit Distribución
			10, 11, 12, 13, 14, 15, 16, 17		
E	XMKS03756		- Kit Goujon + écrou	- Stud + Nut Kit	- Kit Pasador+Tuerca
			28(x4), 29(x4), 30(x4)		
F	XMKS02135		- Kit Loquet	- Latch Kit	- Kit Pestillo
			22, 23, 24, 25, 26		
	XMKS03705		- Kit Joint	- Gasket kit	- Kit Junta
			3, 10, 12, 13		

Emmanchement / Shank size / Enmangadura (mm / In)	Poids / Weight / Peso (Kg / Lb)	Longueur / Length / Longitud (mm / In)
XB32		
H 28x160 - H 1''1/8x6''	32 – 70.5	704 – 27.7
H 32x160 - H 1''1/4x6''	32 – 70.5	704 – 27.7
XB40		
H 28x160 - H 1''1/8x6''	38 – 83.8	720 – 28.3
H 32x160 - H 1''1/4x6''	38 – 83.8	720 – 28.3

SPECIFICATIONS XB32	
Alésage / Bore / Escariado (mm / In)	Ø55 - 2''5/32
Course piston / Piston stroke / Carrera del piston (mm / In)	151 - 6''
Cadence de frappe / Impact rate / Golpes por minuto (cps/min / B.P.M.)	1150
Pression / Pressure / Presion (Bar / Psi)	6 - 87
Consommation / Air consumption / Consumo de aire (l/mm / CMF)	1200 - 42.4
Flexible / Hose / Manguera (mm / In)	Ø19 - Ø3/4''

SPECIFICATIONS XB40	
Alésage / Bore / Escariado (mm / In)	Ø62 - 2''7/16
Course piston / Piston stroke / Carrera del piston (mm / In)	151 - 6''
Cadence de frappe / Impact rate / Golpes por minuto (cps/min / B.P.M.)	1100
Pression / Pressure / Presion (Bar / Psi)	6 - 87
Consommation / Air consumption / Consumo de aire (l/mm / CMF)	1600 - 56.5
Flexible / Hose / Manguera (mm / In)	Ø19 - Ø3/4''